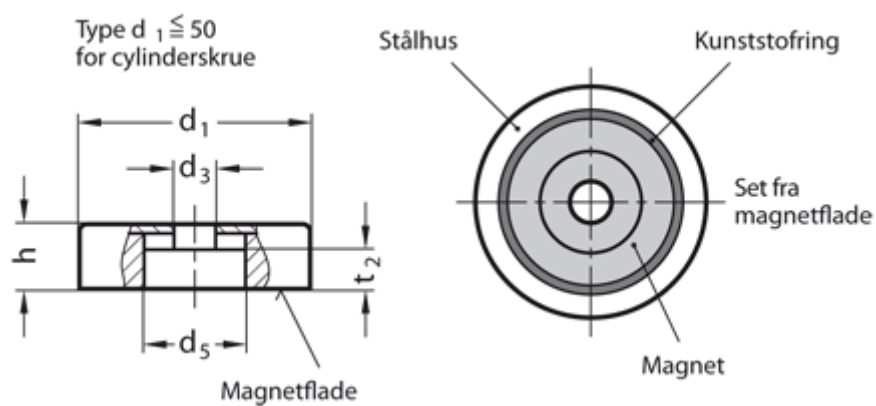


Article number: 20504ND32

Description: E+G Magnets with bore GN 50.4-ND-32-7-5,5  
Hard ferrite - 200° C, 310N

## Measures



$d_1$  = 32 +0,1/-0,1

$d_3$  =

$d_5$  =

$h$  = 7 +0,2/-0,2

Holding force N = 310

Material = HF Hård ferrit - 200° C

$t_2$  =